

# Public Document Pack



CYNGOR SIR  
YNYS MÔN  
ISLE OF ANGLESEY  
COUNTY COUNCIL

YMDDIRIEDOLAETH  
ELUSENNOL YNYS MON  
ISLE OF ANGLESEY  
CHARITABLE TRUST

---

At : Aelodau Cyngor Sir Ynys Môn fel ymddiriedolwr  
Ymddiriedolaeth Elusennol Ynys Môn

Annwyl Aelod,

**CYFARFOD O'R YMDDIRIEDOLAETH ELUSENNOL YNYS MÔN**

Gofynnir i chwi fod yn bresennol mewn cyfarfod o'r Ymddiriedolaeth Elusennol Ynys Môn ar ddydd Mercher, 27 Mehefin, 2018 yn Siambr y Cyngor, Swyddfeydd y Cyngor, Llangefni am 10.00 o'r gloch yb i ystyried y materion a nodir yn y rhaglen atodol.

Yr eiddoch yn gywir,  
*Dr Gwynne Jones*

**YSGRIFENNYDD**

---

To : Members of the Isle of Anglesey County Council as Trustee  
of the Isle of Anglesey Charitable Trust

Dear Member,

**MEETING OF THE ISLE OF ANGLESEY CHARITABLE TRUST**

Your attendance is requested at a meeting of the Isle of Anglesey Charitable Trust on Wednesday, 27 June 2018 to be held at the Council Chamber, Council Offices, Llangefni at 10.00 am to consider the matters noted in the attached agenda.

Yours sincerely,  
*Dr Gwynne Jones*

**SECRETARY**

---

**Ysgrifennydd/Secretary** : Dr. Gwynne Jones

**Trysorydd/Treasurer** : Mr. Marc Jones

**Swyddfa'r Sir/County Offices,  
Llangefni, Ynys Môn. LL77 7TW. Tel: (01248) 750057**

## A G E N D A

**1     ELECTION OF CHAIRPERSON**

To elect a Chairperson.

**2     ELECTION OF VICE-CHAIRPERSON**

To elect a Vice-Chairperson.

**3     DECLARATION OF INTEREST**

To receive any declaration of interest by any Member or Officer in respect of any item of business.

**4     MINUTES (Pages 1 - 4)**

To submit, for confirmation, the minutes of the meeting held on 17 April, 2018.

**5     YSGOL GYFUN LLANGFNI - COMPETITION 'FORMULA 1 FOR SCHOOLS' - REQUEST FOR FUNDING (Pages 5 - 16)**

To submit a report by the Treasurer in relation to the above.

**6     MENTER MÔN - LEADER PROJECT (Pages 17 - 20)**

To submit a report by the Treasurer in relation to a request from Menter Môn to change the use of the approved allocation.

**7     LLANFAIRYNGHORNWY VILLAGE HALL - GRANT UPDATE (Pages 21 - 22)**

To submit a report by the Treasurer.

**8     GOVERNANCE OF THE ISLE OF ANGLESEY CHARITABLE TRUST AND CYMDEITHAS ELUSENNOL YNYS MÔN/THE ISLE OF ANGLESEY CHARITABLE ASSOCIATION (Pages 23 - 26)**

To submit a report by the Secretary.

## Isle Of Anglesey Charitable Trust Committee

### Minutes of the meeting held on 17 April 2018

- PRESENT:** T LI Hughes MBE (Chair)
- Lewis Davies, John Griffith, Richard Griffiths, G O Jones, R.Meirion Jones, Eric Wyn Jones, Alun W Mummery, Bryan Owen, R G Parry OBE, Shaun James Redmond, Dylan Rees, J A Roberts, Margaret Murley Roberts, Nicola Roberts, P S Rogers, Dafydd Rhys Thomas and Robin Williams
- IN ATTENDANCE:** Secretary,  
Treasurer.
- Officers from the Isle of Anglesey County Council (herein referred to by their IOACC job titles)**
- Legal Services Manager (RJ),  
Grants Officer (JW),  
Committee Officer (MEH).
- APOLOGIES:** R Dew, Glyn Haynes, Vaughan Hughes, Llinos Medi Huws, Carwyn Jones, R LI Jones, A M Jones, Richard Owain Jones and Dafydd Roberts
- ALSO PRESENT:** None

---

As the Vice-Chair had submitted his apologies for the meeting it was agreed that a Vice-Chair be appointed for this meeting. Councillor Dylan Rees was elected Vice-Chair for this meeting only.

#### 1 DECLARATION OF INTEREST

Declarations of interest received as follows :-

Mr Richard Griffiths declared a personal interest in respect of Item 5 – Large Grants Applications 2018/19 – Application 7 Amlwch Industrial Heritage Society.

Mr Trefor LI Hughes declared a personal interest in respect of Item 5 – Large Grants Applications 2018/19 – Application 19 Isle of Anglesey Five Town Councils.

Mr R Meirion Jones declared a personal interest in respect of Item 5 – Large Grants Applications 2018/19 – Application 14 Beaumaris Band and Application 18 Cwmni'r Fran Wen.

Mr Bryan Owen declared a personal interest in respect of Item 5 – Large Grants Applications 2018/19 – Application Tudur Cyf.

Mr Dylan Rees declared a personal interest in respect of Item 5 – Large Grants Applications 2018/19 – Application 19 Isle of Anglesey Five Town Councils and Application 25 Gobaith Môn.

Mrs Nicola Roberts declared a personal interest in respect of Item 5 – Large Grants Applications 2018/19 – Application 19 Isle of Anglesey Five Town Councils.

Mr Robin Williams declared a personal interest in respect of Item 5 – Large Grants Applications 2018/19 – Application 19 Isle of Anglesey Five Town Councils.

## 2 MINUTES

The minutes of the following meetings were confirmed as correct :-

- Minutes of the special meeting held on 28 February, 2018.
- Minutes of the special meeting held on 27 March, 2018.

## 3 REPORTS OF SUB-COMMITTEES OF THE CHARITABLE TRUST

### Regeneration Committee

The minutes of the following meetings were confirmed as correct :-

- Minutes of the meeting held on 14 February, 2018.
- Minutes of the meeting held on 13 March, 2018.

## 4 EXCLUSION OF THE PRESS AND PUBLIC

**RESOLVED** to adopt the following :-

**“Under Section 100(A)(4) of the Local Government Act 1972, to exclude the press and public from the meeting during the discussion on the following item as it may involve the likely disclosure of exempt information as defined in Paragraph 12A of the said Act and in the attached Public Interest Test.”**

## 5 LARGE GRANTS APPLICATIONS 2018/19

The Treasurer reported that 34 grant applications were received which totalled to £1,467,487m. The Regeneration Committee on 14 February, 2018 agreed on a shortlist of applications and identified those where additional information was required from the applicants. The Regeneration Committee on 13 March, 2018 considered the shortlisted applications together with the additional information and the level of funding that should be recommended for approval. It was decided that 14 applications be recommended to the Full Trust for approval.

**It was RESOLVED to approve the recommendations of the Regeneration Committee held on 13 March, 2018 as follows :-**

- **Projects Approved**

<b>Applicant</b>	<b>Project</b>	<b>Amount Approved</b>
<b>Cemaes Bay Football Club</b>	<b>Replacement floodlighting on training pitch</b>	<b>£37,170</b>
		<i>(subject to a condition not to pay out until confirmation that the senior team has been re-established)</i>
<b>Aberffraw Village Hall</b>	<b>Create a public toilet and new car parking area</b>	<b>£43,100</b>
<b>Citizens Advice Bureau</b>	<b>Support for core running costs</b>	<b>£39,794</b>
<b>Llanfairynghornwy Village Hall</b>	<b>Additional funding for works on exterior of building</b>	<b>£26,388</b>

<b>Anglesey Food Bank</b>	<b>Purchase of a new electric car to deliver food, fuel vouchers and drive people to hospital</b>	<b>£20,000</b>
<b>Tudur Cyf.</b>	<b>Improvements to roof repairs at Canolfan Ebeneser</b>	<b>£6,000</b>
<b>Amlwch Industrial Heritage Society</b>	<b>Resurfacing of Visitor Car Park together with signage and restrictive barrier</b>	<b>£66,414</b>
<b>Blood Bikes Wales</b>	<b>Purchase of new motorbike</b>	<b>£7,590</b>
<b>Llangefni Rugby Club</b>	<b>Construction of new stand and dug outs</b>	<b>£18,000</b>
<b>Ffrindiau Moelfre</b>	<b>Renew and enhance the Community Council owned park</b>	<b>£26,900</b>
<b>Côr Ieuenctid Môn</b>	<b>To establish a centre for the Choir</b>	<b>£13,762</b>
<b>Anglesey Column Trust</b>	<b>Funding required to employ Consultancy company to write a bid for Heritage Lotter Fund</b>	<b>£10,000</b>
<b>Bodwrog Memorial Hall</b>	<b>Repair and improvement to the facilities at the Hall</b>	<b>£24,650</b>
<b>Beaumaris Band</b>	<b>Funding to support costs of the Youth Band attending a major Competition</b>	<b>£10,000</b>

- That the Trust delegates authority to the Treasurer to contact the unsuccessful applicants detailing the reasons why their application was not approved.
- That the Trust delegates authority to the Treasurer to issue a formal offer letter to the successful applicants.

**Mr Trefor LI Hughes MBE  
Chair**

This page is intentionally left blank

<b>ISLE OF ANGLESEY CHARITABLE TRUST</b>	
<b>COMMITTEE</b>	<b>ISLE OF ANGLESEY CHARITABLE TRUST</b>
<b>DATE</b>	<b>27 June 2018</b>
<b>TITLE OF REPORT</b>	<b>Ysgol Gyfun Llangefni - Competition "Formula 1 for Schools"</b>
<b>PURPOSE OF REPORT</b>	<b>To set out a request from the pupils of Ysgol Gyfun Llangefni for a contribution towards the cost of attending the Formula 1 for Schools Competition in Singapore in October 2018</b>
<b>REPORT BY</b>	<b>Treasurer – Isle of Anglesey Charitable Trust</b>
<b>ACTION</b>	<b>To consider the request and to determine whether to make a contribution and, if so, to decide on the level of the contribution.</b>

## **1. INTRODUCTION**

- 1.1 Earlier this year, pupils from Year 11 at Ysgol Gyfun Llangefni won the Welsh heat of the Formula 1 for Schools competition, which is a STEM project to design a formula 1 car.
- 1.2 As winners of the Welsh heat, the pupils have been invited to attend the international competition which will be held in Singapore in October to coincide with the Formula 1 Grand Prix.
- 1.3 It is estimated that the cost of attending the competition, including flights, accommodation, meals, competition entry fee and entry to the Grand Prix for the pupils and the teachers accompanying the pupils, will amount to approximately £30,000.
- 1.4 The school have secured funding from private companies to fund part of the costs and parents and pupils will also be fund raising.
- 1.5 Further information provided by the school is attached as Appendix 1.
- 1.6 The pupils will also make a short presentation to the Committee. Making such a presentation is seen by the School as being beneficial to the pupils.

## **2. RECOMMENDATION**

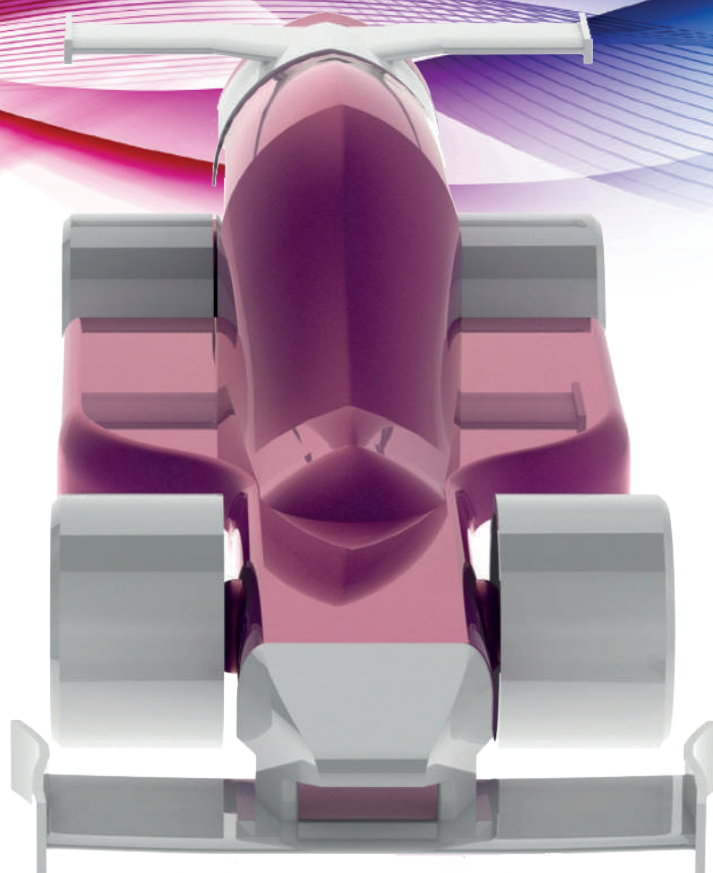
- 2.1 The Committee considers the request for funding and, if the request is supported, decides on the level of contribution to be made.



**DRIVE**

**TEAM DRIVE WALES**

Cynnig Nawdd  
*Sponsorship Proposal*







Page 7

## EIN HAMCANION

### Gyrru am y Gorau

- Cynrychioli ein hysgol a'n gwlad gydag anrhydedd
- Ennill rownd derfynol byd eang F1 mewn ysgolion 2018
- Hyrwyddo a gwella brand Team Drive
- Creu amgylchedd da i'r fîm weithio a sefydlu ein hunain ym myd F1 mewn ysgolion
- Datblygu ac ehangu ein gwybodaeth am wyddoniaeth, technoleg, peirianeg a mathemateg
- Gwella a chryfhau ein sgiliau arwain
- Sefyll allan oherwydd ein proffesiynoldeb a'n arloesedd
- Gweithio'n dda fel fîm a sefyll allan fel unigolion
- Sicrhau balchder am bopeth rydym yn ei wneud
- Dylunio a gwneuthuro car rasio model allai dorri record byd presennol

## OUR OBJECTIVES

### The Winning Formula

- Represent our school and country honourably
- Win the 2018 F1 in Schools World Finals
- Promote and enhance Team Drive as a brand name
- Create a teamwork environment and establish ourselves on the F1 in schools scene
- Develop and expand our knowledge of science, technology, engineering and mathematics
- Enhance and strengthen our leadership skills
- Stand out from the other teams based on our professionalism and innovation
- Excel as a team and stand out as individuals
- Gain pride and recognition in all that we do
- Design and manufacture a model racing car that can break the current world record





## Y TÎM / THE TEAM



### Elin Pierce

Rheolwr Tîm / Team Manager

#### Lefel / A Level

Mathemateg, Mathemateg Pellach, Ffiseg, Cemeg a'r Bagoloriaeth Gymreig  
Mathematics, Further Mathematics, Physics, Chemistry and the Welsh Baccalaureate

#### Prifysgol / University

Coleg Imperial Llundain i astudio Peirianeg  
Imperial College London to study Engineering

#### Y Dyfodol / Future

Periannydd / Engineer



### Iwan Jones

Dylunio a Gwneuthuriad / Design and Manufacturing

#### Lefel / A Level

Mathemateg, Mathemateg Pellach, Ffiseg, Cemeg a'r Bagoloriaeth Gymreig  
Mathematics, Further Mathematics, Physics, Chemistry and the Welsh Baccalaureate

#### Prifysgol / University

Bangor i astudio Mathemateg  
Bangor to study Mathematics

#### Y Dyfodol / Future

Periannydd / Engineer



### Owain Roberts

Dylunio a Gwneuthuriad / Design and Manufacturing

#### Lefel / A Level

Mathemateg, Ffiseg, Cemeg, Technoleg Gwybodaeth a'r Bagoloriaeth Gymreig  
Mathematics, Physics, Chemistry, ICT and the Welsh Baccalaureate

#### Prifysgol / University

Durham neu Sheffield i astudio Peirianeg Cyffredinol  
Durham or Sheffield to study General Engineering

#### Y Dyfodol / Future

Gyrfa ym myd Formula 1 / Career in the Formula 1 industry



### Elen Iorwerth

Rheolwr Adnoddau / Resources Manager

#### Lefel / A Level

Mathemateg, Ffiseg, Hanes, Ffrangeg a'r Bagoloriaeth Gymraeg  
Mathematics, Physics, History, French and the Welsh Baccalaureate

#### Prifysgol / University

LSE i astudio Athroniaeth, Gwleidyddiaeth ac Economeg  
LSE to study Philosophy, Politics and Economics

#### Y Dyfodol / Future

Economeg a marchnata / Economics and marketing



### Siwan Iorwerth

Dylunydd Graffeg / Graphic Designer

#### Lefel / A Level

Cemeg, Bioleg, Cymraeg a'r Bagoloriaeth Gymraeg  
Chemistry, Biology, Welsh and the Welsh Baccalaureate

#### Prifysgol / University

Bangor i astudio Meddygaeth os fydd y brifysgol yn ei gynnig erbyn hynny  
Bangor to study Medicine if the university offers it by then

#### Y Dyfodol / Future

Meddyg / Doctor



### Owen Hughes

Rheolwr Busnes / Business Manager

#### Lefel / A Level

Mathemateg, Mathemateg Pellach, Ffiseg, Busnes a'r Bagoloriaeth Gymreig  
Mathematics, Further Mathematics, Physics, Business and the Welsh Baccalaureate

#### Prifysgol / University

Manceinion neu Bangor i astudio Cyllid ac Economeg  
Manchester or Bangor to study Finance and Economics

#### Y Dyfodol / Future

Busnes / Business



## EIN GWERTHOEDD

Mae ein gwerthoedd yn adlwrchu yr hyn sy'n bwysig i'n tîm - dyma sy'n ein gwneud ni yn falch o fod yn rhan o TEAM DRIVE.

### Cydweithio

Mae gweithio fel tîm yn holl bwysig i ni - dyma sy'n ein gyrru ni ac yn ganolog i'n llwyddiant

### Ymroddiad

Mae ymroddiad pob unigolyn yn bwysig a thrwy ein gwaith caled byddwn yn llwyddo i gyflawni ein nod

### Uchelgeisiol

Trwy fod yn uchelgeisiol gallwn gyflawni llawer - rydym yn barod i anelu am y brig

### Arloesi

Rydym am geisio pethau newydd er mwyn dod o hyd i'r ateb a byddwn yn dysgu oddi wrth ein camgymeriadau

### Diwylliant

Rydym yn frwd dros hyrwyddo ein hardal, ein gwlad, ein diwylliant, a'n treftadaeth

### Parch

Rydym yn parchu ein gilydd ac yn deall gwerth parchu gwahaniaeth a thegwch mewn cystadleuaeth

## OUR VALUES

*Our values reflect what our team stands for - this is what makes us proud to be part of TEAM DRIVE.*

### Co-working

*Working as a team is very important to us - it's what drives us and is crucial to our success*

### Commitment

*Each team member's commitment is important and through our hard work we will achieve our goals.*

### Ambitious

*By being ambitious we can achieve a lot - we are ready to aim even higher*

### Innovation

*We will try new things in order to find the right solution and will learn from our mistakes*

### Culture

*We are passionate about promoting our community, our country, our culture and our heritage*

### Respect

*We respect each other and understand the importance of respecting difference and fairness in competition*

## Rownd Derfynol 2018 National Finals 2018

Pencampwyr Cymru  
Welsh Champions

Gwobr Ferrari – Hunaniaeth Tim  
Ferrari Team Identity Award

3 Uchaf Arddangosfa Pit  
Top 3 Pit Display Award

Top 3 Sponsorship and  
Marketing Award



## Rownd Ranbarthol 2018 Regional Finals 2018

Gwobr am y Peirianeg Gorau  
Best Engineered Car

Gwobr Nawdd a Marchnata  
Sponsorship and Marketing Award

Gwobr Ymchwil a Datblygu  
Research and Development Award





## Beth yw F1 in Schools?

Mae F1 in Schools™, yn sefydliad nid-er-elw, ac yn bodoli ers 1999. Ers hynny mae wedi tyfu i gynnwys dros 1.5 miliwn o fyfyrwyr o 51 o wledydd gwahnaol. Mae cystadlu blynyddol ar lefel ranbarthol, cenedlaethol a rhyngwladol - a dyma'r gystadleuaeth Wyddoniaeth, Technoleg, Peirianeg a Mathemateg (STEM) mwyaf yn y byd. Mae'r rownd derfynol ryngwladol yn cael ei chynnal mewn cydweithrediad gyda grand prix Formula One™.

## Beth yw'r gystadleuaeth?

Prif gysyniad y gystadleuaeth yw dylunio, gwneuthurio, profi a rasio car F1 bychan wedi ei bweru gan nwy a sy'n gallu cyflymu i 60 milltir yr awr mewn llai nag eiliad i lawr trac 20m.

Mae set o 'Reolau Cystadleuaeth' a 'Rheoliadau Technolegol' ar gyfer y gystadleuaeth. Mae'n rhaid cydymffurfio gyda phob rheoliad technolegol neu bydd y fîm yn colli pwyntiau gwerthfawr ac mewn peryg o gael gwaharddiad am dorri rheoliad critigol.

Yn ogystal â hyn, mae'n rhaid i'r fîm gynyrchu Portffolio Peirianeg, Portffolio Menter, a dylunio ac adeiladu arddangosfa pit. Rhaid hefyd cael hunaniaeth fîm, strategaeth nawdd a marchnata ar gyfer casglu arian, a pharatoi a gwneud cyflwyniad 10 munud o hyd, yn ogystal â rasio'r car wrth gwrs. Mae pob un o'r categorïau yma yn cael eu beirniadu gan aelodau proffesiynol o dîm F1 mewn cyfweiliadau a chwestiynu trylwyr.

Mae'r holl weithgaredd yn all-gwricwlar ac yn digwydd yn amser sbar y myfyrwyr. Dyna pam mai'r myfyrwyr mwyaf angerddol a brwd fydd yn llwyddo.

## What is F1 in Schools?

*F1 in Schools™ is a not-for-profit organisation, founded in 1999. It has grown to include over 1.5 million students across 51 countries. It is now contested annually on a regional, national and international level and is the world's largest Science, Technology, Engineering and Mathematics (STEM) competition. The world final is normally held in conjunction with a Formula One™ grand prix.*

## What is the competition?

*The main concept of the competition is to design, manufacture, test and race a small gas powered F1 car down a 20 m track and accelerate to 60 miles per hour in under 1 second.*

*There is a set of 'Competition Rules' and 'Technical Regulations'. Each technical regulation must be complied with, otherwise the team will lose valuable points and could even be disqualified if a 'critical' regulation is broken.*

*In addition the team has to produce an Engineering Portfolio, Enterprise Portfolio, design and build a pit display. The team also must have a team identity, a sponsorship and marketing strategy for fund-raising, and prepare and present a 10 minute presentation - and of course race the car itself. Each of these categories is judged by professional F1 team members through interviews and rigorous questioning.*

*It is all extra-curricular with the students working on the project in their own time - this is why only the most driven and committed students succeed.*

## EFFAITH AR Y GYMUNED A'R YSGOL

Mae cyrraedd rownd derfynol F1 for schools heb os yn gyfle gwych i'r disgyblion, i'r ysgol ac i'r gymuned yn ehanghach.

Eisoes trwy gyrraedd y rownd derfynol mae gwaith Team DRIVE wedi:

- Codi ymwybyddiaeth a hyrwyddo Ynys Môn a Chymru ar lwyfan byd-eang
- Ysbrydoli plant yr ysgol i ymddiddori mewn pynciau STEM
- Cryfhau cysylltiadau rhwng yr ysgol a'r gymuned yn lleol
- Denu nawdd i gaffael offer arbenigol i'r ysgol
- Creu cyswllt rhwng disgyblion yr ysgol a busnesau Môn a Gwynedd

Ein gobaith trwy fynd i'r rownd derfynol yn Singapore yw rhoi Ysgol Gyfun Llangefni, Môn a Chymru ar y map go iawn, a chreu cysylltiadau er budd yr ysgol, ei disgyblion a'r gymuned yn lleol.

## COMMUNITY AND SCHOOL IMPACT

*Reaching the F1 in Schools final is without doubt a valuable opportunity for the pupils, the school and the wider community.*

*By reaching the world final TEAM DRIVE's work has already:*

- Raised the profile of Anglesey and Wales on an international stage
- Inspired pupils across the school to take an interest in STEM subjects
- Strengthened ties between the school and local community
- Attracted sponsorship to buy specialist equipment for the school
- Created a link between the school and Anglesey and Gwynedd businesses.

*Our aim by going to the world final in Singapore is to put Ysgol Gyfun Llangefni, Anglesey and Wales on the map and to create contacts which will be of benefit to the school, its pupils and the local community.*





### Team Tyrbo (Rookie Class)

2014 oedd y tro cyntaf i ni gymryd rhan yn y gystadleuaeth. Roedd yn gyfle i ni ddeall beth yn union oedd y cynllun a'r safon uchel oedd yn rhaid ei gyrraedd i fod yn llwyddiannus. Fe ddaethom yn fuddugol yn y rownd ranbarthol ac ennill yr holl wobrau oedd ar gael yn ein categori: Peirianeg Gorau a Car Cyflymaf y dosbarth. Y cam nesaf oedd y rownd Brydeinig yn Birmingham, a daethom yn 3ydd yn ein categori. Roedd hyn yn lwyddiant pwysig i ni, ac yn ein hysgogi i gystadlu eto ac anelu at y rownd ryngwladol.

*This was the first time we took part in the competition, and we learnt a huge amount about what the programme entailed and we saw just how high the standard was. At our regional final we came 1st and we won all of the awards for our class; Best Engineered Car and Fastest Rookie car. We then progressed to the UK Final held in Birmingham, here we were placed 3rd in the Rookie Class. This was an important achievement for us as this drove us to compete again to aim for the World Finals.*

2014/15

2015/16

2016/17

### X-Dream (F1 Class)

Y tro hwn, roedden ni yn y dosbarth F1. Roedd y safon yn llawer uwch. Serch hyn, fe lwyddon ni i ddod yn 3ydd yn y rownd ranbarthol. Cynhaliwyd y rownd Brydeinig yn Silverstone am y tro cyntaf ac roedd y safon yn uwch fyth. Fe wnaethom ni ddefnyddio hwn fel profiad dysgu, ac i geisio casglu gymaint o wybodaeth am y gystadleuaeth ag y gallwn ni i allu dod yn ol yn gryfach y tro nesaf.

*In the 2015-16 competition we competed in the F1 class. The standard was much higher this time. Despite this we still managed to reach 3rd place at our regional final. The UK event was held in Silverstone for the first time and the standard had raised once again. We used this as a learning experience to try and collate as much knowledge about the competition as we could to come back even stronger next time.*

### Drive (Professional)

Daethom yn 3ydd yn y dosbarth Proffesiynol yn y gystadleuaeth hon ac ennill y wobwr am y cynllun Nawdd a Marchnata gorau. Dim ond tri aelod oedd yn ein tîm ar gyfer y gystadleuaeth yma oedd yn golygu llawer mwy o waith i bob unigolyn. Unwaith eto roeddem yn gallu mynd i'r rownd Brydeinig yn Silverstone ble cawsom ein henwebu am wobwr y Beirniaid. Roedd hyn yn rhoi mwy o awydd i ni gystadlu eto i allu mynd i'r rownd ryngwladol. I allu gwneud hyn, fe wnaethon ni recriwtio tri aelod newydd i'r tîm ac anelu am y safon uchaf posib o fewn ein cyllideb.

*We were placed 3rd overall in the Professional class in this competition and we came first in the sponsorship and marketing award. In this competition we only had three in our team which presented a challenge in itself it meant a more work for each individual. Once again we made it to the UK Final at Silverstone were we were nominated for the Judges Recommendation Award. This fueled our ambition to compete again and to aim for the World Final. To do this we recruited three new members to the team and we aimed for the highest standard possible within our budget.*



## ARLOESI

I wella arloesedd ein tîm ar gyfer cystadleuaeth eleni rydym wedi edrych ar dri syniad gwahanol.

Yn gyntaf rydym wedi datblygu app ar gyfer dyfeisiadau symudol - y gêm Drive. Gall unrhyw un lawrlwytho'r app oddi ar Google Play Store, ac mae wedi bod ar gael i bobl rhoi cynnig arni yn ein arddangosfa pit. Y nod yw ceisio annog timau eraill i rhyngweithio efo ni ac i weld ein gwaith.

Yn ail rydym wedi datblygu ein bath dŵr ein hunain ar gyfer profi ein cynnyrch. Rydym yn defnyddio'r bath er mwyn profi ein cynlluniau, gan ddefnyddio argraffwr 3D fel ein bod yn gallu profi cymaint o fodelau gwahanol â phosib. Datblygwyd y bath dŵr mewn partneriaeth gyda'n partneriaid Magnox, er mwyn gweld sut oedd awyr yn llifo dros gorff y car.

Ar gyfer y ffeinal byd, rydym yn anelu i godi £30,000 - bydd angen llawer o waith a cheisio denu nifer fawr o noddwyr a phartneriaid. Ein trydydd syniad felly, yw cynnal noson noddwyr, ble byddwn yn gallu rhannu gwybodaeth gyda busnesau lleol am ein gwaith a sut y gall eu cyfraniadau ein helpu - unai trwy gyfrannu arian nawdd, rhoi cyngor neu adnoddau. Y gobaith yw y bydd hyn nid yn unig yn ein helpu ni gyrraedd ein targed ond hefyd yn creu cyswllt cryfach rhwng y tîm, ein partneriaid a'r gymuned.

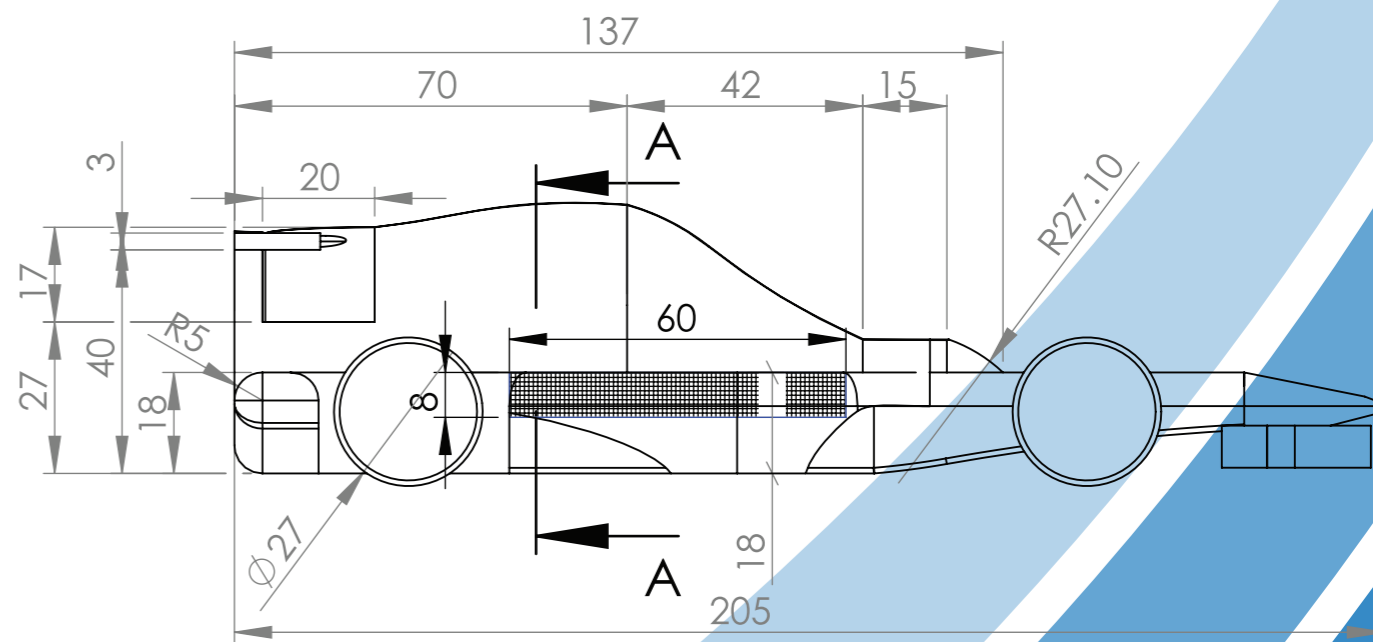
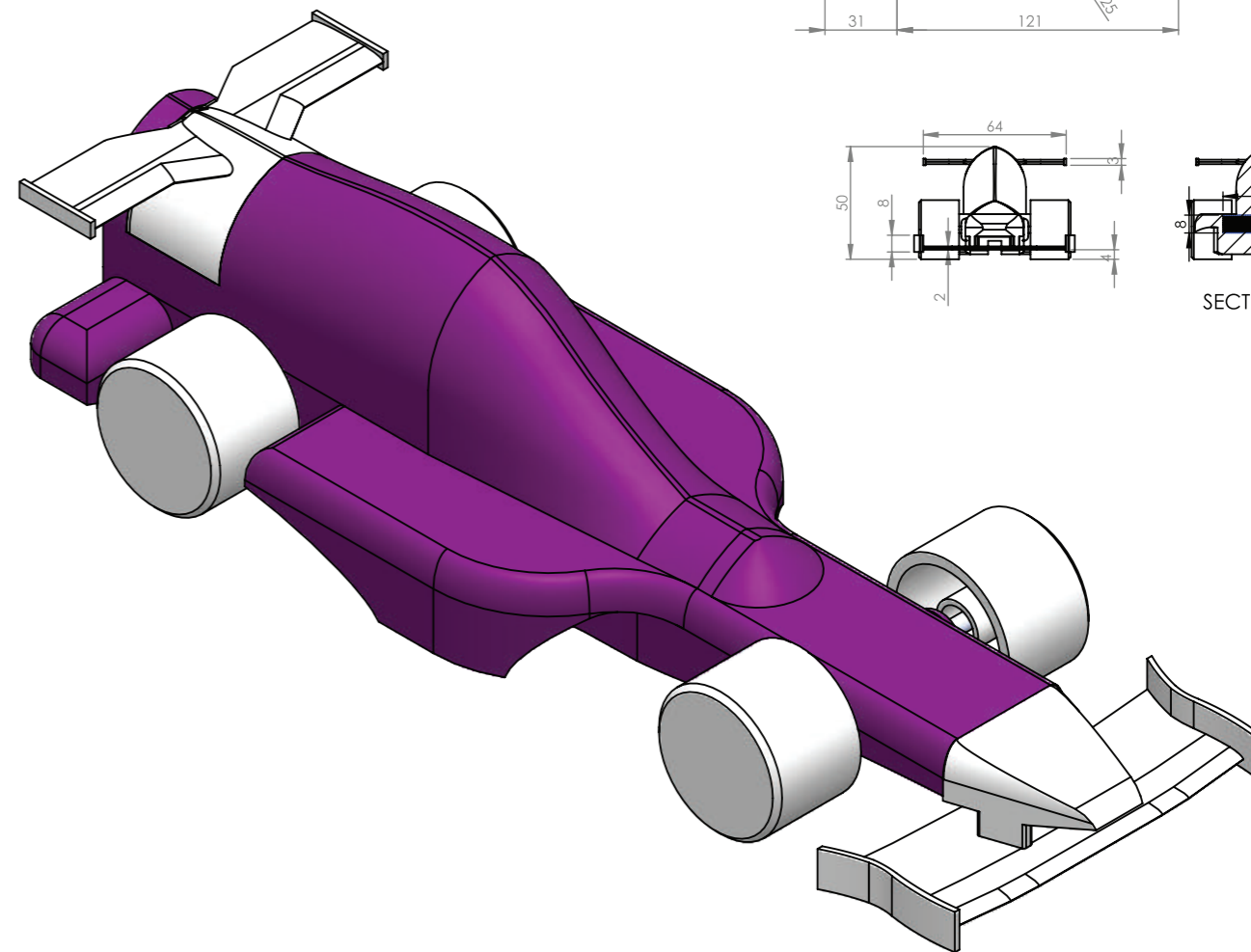
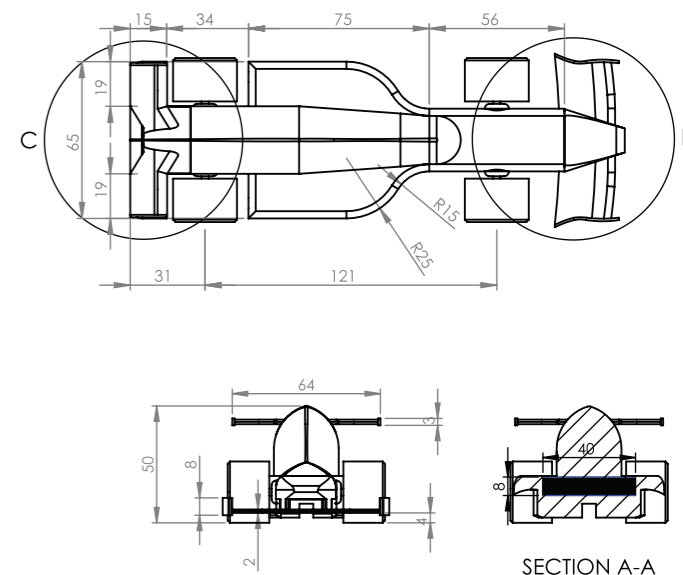
## INNOVATION

To improve our team's innovation for this year's competition, we looked at three different ideas.

Firstly, we developed our own app for mobile devices, the Drive game. This is a game that can be downloaded by anyone on the Google Play Store and has been available to try in our pit display. The aim is to encourage other teams to interact with us, and view our work.

Secondly, we developed our own water bath for testing purposes. We used the water bath for physical testing of our car designs, using 3D printed models so we could test as many designs as we wanted. The water bath was developed in partnership between the team and our partners at Magnox, in order to see a visual representation of how air flows over the car body.

For the world finals, we aim to raise £30,000, achieving this sum will mean a lot of work and the involvement of many sponsors and partners. Therefore, our third idea is to hold a sponsors and partners evening event, where we will inform local businesses about the work we're doing and how donations could help, whether through funding, advice or help in kind. We hope that this will not only help us to reach the ambitious target we have set, but will also create a bond between the team, our partners and the community.





## 2017-2018

Roedd y rownd ranbarthol yn cael ei chynnal eleni yn Ysgol Uwchradd Dinbych. Daeth y fîm yn drydydd yn y rownd hon ond ni ddaeth i'r brig yn y categorïau canlynol, sef:

Peirianeg Gorau  
Nawdd a Marchnata Gorau  
Ymchwil a Datblygu Gorau

Ac felly roedden ni'n cael mynd i rownd derfynol y DU yn Silverstone unwaith eto.

Yn Silverstone cawsom ein henwi yn Bencampwyr Cymru. Daethom i'r brig yn y wobwr Hunaniaeth Tîm, yn y tri uchaf drwy Brydain am ein Nawdd a Marchnata ac am ein harddangosfa pit.

Rydym felly wedi ennill yr hawl i gystadlu yn y rownd derfynol byd eang yn Singapore fis Medi, a byddwn yn cynrychioli Cymru yno.

*The regional round was held in Denbigh High School this year. We came third in this round as well as winning the in the following categories:*

*Best Engineered Car  
Sponsorship and Marketing  
Best Research and Development*

*And so we were able to go the finals once again at Silverstone.*

*At Silverstone, we were successful as we were crowned Welsh Champions. As well as this we won the overall Team Identity Award, were among the top three for our pit display and the Sponsorship and Marketing category.*

*This means we have reached the world finals and will represent Wales at the competition in Singapore this September.*

## ROWND DERFYNOI RYNGWLADOL - SINGAPORE INTERNATIONAL FINAL - SINGAPORE

Bob blwyddyn, mae ffeinal cystadleuaeth F1 ysgolion yn cael ei gynnal yr un pryd â Grand Prix Formula 1. Eleni, mae'r gystadleuaeth yn cyd fynd â Grand Prix Singapore. Mae hi'n ras enwog, yn digwydd drwy strydoedd y ddinas yn ystod y nos.

Mae hi'n ffrainc cael mynd yr holl ffordd i Singapore i gynrychioli ein hysgol, ein hardal a'n gwlad. Bydd yn gyfle i ni godi proffil yr ysgol, yn lleol ac yn y gymuned F1 ryngwladol, ac yn gyfle i ni gael cipolwg i mewn i fydd F1. Mae sawl aelod o'r tîm yn awyddus i fynd i mewn i yrfa yn y maes yma ac mae'n gyfle i ni gael gweld swyddi a gyfaeoddi i anelu tuag atynt.

I ddechrau'r gystadleuaeth, mae'n rhaid i'r tîm osod ein harddangosfa. Rydym yn gorfod gwneud hynny o fewn ychydig oriau ac mae'n rhan sy'n cael ei farcio.

Mae'n rhaid i ni gael arddangosfa broffesiynol sydd yn dangos pwys ydym ni a'n noddwyr a sydd yn datgelu rywfaint am sut y cyrhaeddodd ni Singapore. Bydd aelodau'r tîm yn yr arddangosfa yn barod i ateb cwestiynau sydd gan yr ymwelwyr a rhannu gwybodaeth amdano ni fel tîm a Chymru.

Bydd y tîm yn rhoi cyflwyniad i banel o feirniaid. Bydd y cyflwyniad yn trafod elfennau peirianeg ac elfennau busnes y broses o gystadlu yn F1 mewn ysgolion. Bydd y tîm yn trafod sut y cynhalion ni berthynas gyda ein partneriaid a'n cefnogwyr, ac yn egluro sut rydym wedi defnyddio technoleg arloesol i allu cyrraedd y safon uchaf posibl.

A'r darn pwysicaf oll - rasio'r car. Mae y trac yn 20m o hyd a bydd y car yn cael tri cyfle i gyrraedd yr amser gorau posibl. Mae'n bwysig ein bod yn defnyddio ein holl wybodaeth o'n ymchwiliadau ac arbrofion - dyma sut rydym am gael car sydd yn ennill amser cystadleuol ar y trac.

Mae pob elfen yn cael ei farcio gan feirniaid proffesiynol sydd yn deall yn union beth sydd yn gwneud tîm F1 llwyddiannus ac uchelgeisiol.

*Every year, the F1 in Schools final is held at the same time as a Formula 1 Grand Prix race. This year the competition is held to coincide with the Singapore Grand Prix; a famous circuit, with cars racing through the city's streets at night.*

*It is an honour to be able to go all the way to Singapore to represent our school, our region and our country. It will be an opportunity to raise the school's profile, both locally and in the international F1 community. Members of our team are keen to follow a career in this field and it is an opportunity for us to see the types of jobs and careers we could aim for.*

*At the beginning of the competition, the team must set up our pit display. We have to do this in a few hours and it is an aspect of the competition that is marked.*

*We must have a professional pit display that shows who we and our partners are, and how we reached Singapore. Members of the team must always be ready in the pit to answer visitor questions and to share information about us as a team and about Wales.*

*The team will give a presentation to a panel of judges. We will discuss engineering and entrepreneurial aspects of the process of competing in F1 in schools. The team will discuss how we maintained a relationship with our partners and supporters, and will explain how we have used innovative technology to reach the highest possible standard.*

*And the most important part - racing our car. The track is 20m long and the car will have three chances to get the best possible time. It's important that we use all the information from our research and testing - this is how we will get a car that gains a competitive time on the track.*

*Each element is scored by professional judges who know exactly what makes a successful and ambitious F1 team.*





## HUNANIAETH TÎM A NWYDDAU MARCHNATA TEAM IDENTITY AND MARKETING MATERIALS

Mae hunaniaeth y fîm yn bwysig iawn i ni a'n nod yw sicrhau bod ein gwerthoedd yn cael eu hadlewyrchu yn glir drwy ein brand a'n holl ddeunyddiau marchnata, cynyrch ac adnoddau yn ogystal â gwisg y fîm.

Roedd sicrhau delwedd gref yn ganolog wrth i ni greu cynhyrchu a nwyddau marchnata o safon i gefnogi ein hymgyrch. Roeddem yn awyddus i greu argraff broffesiynol o'r tîm i'n cynulleidfoaedd ac i sicrhau ein bod yn sefyll allan. Mae'r nwyddau rydym wedi eu cynhyrchu sy'n cynnwys beiros, llyfr nodiadau, mygiau a bandiau porffor, cas ffôn symudol, a losin M&Ms wedi eu brandio, wedi cyfrannu at hyrwyddo ein brand a lledaenu ein neges.

Mae'r holl nwyddau ac adnoddau sydd gennym wedi gweithio yn dda gan dynny sylw cynulleidfa, a chreu delwedd gadarnhaol ar gyfer ein fîm, a dyma sy'n bwysig i ni.

*The team's identity is very important to us and our aim is to ensure that our values are reflected in our brand and across all our marketing materials, merchandise, resources as well as the team uniform.*

*Ensuring a strong image was key as we developed products and marketing materials to support our campaign. We were keen to create an impact and portray a professional image to ensure we stood out. The merchandise we have, which include pens, note-books, mugs, wrist-bands, mobile phone cases and branded M&M sweets, have helped us promote our brand and share our message with our target audience.*

*All the branded materials and resources we have produced have worked well and have caught the attention of our audiences - creating a positive image for the team, this is very important to us.*





## SUT ALLWCH CHI HELPŪ HOW YOU CAN GET INVOLVED

Ein nod yw codi £30,000 er mwyn gallu cystadlu yn Singapore. Byddwn yn ddiolchgar iawn am gymorth arbenigol neu arianol gan unrhyw gwmni, sefydliad neu unigolyn sydd â diddordeb.

Rydym wedi rhoi cynllun mewn lle sy'n eich galluogi chi i elwa o'n noddni ni ar gyfer rownd derfynol cystadleuaeth F1 ysgolion. Rydym eisiau sicrhau fod gennym berthynas dda gyda phawb sydd yn rhoi cymorth i ni a phawb sydd yn ein cefnogi ni.

### BETH ALLWN NI EI WNEUD I CHI?

Drwy weithio mewn partneriaeth, gallwn roi llwyfan marchnata byd eang unigryw i chi. Yn y gystadleuaeth, bydd enw a logo eich cwmni yn cael ei weld gan filoedd o bobl yn y digwyddiad rhyngwladol ac ar-lein. Bydd rhai agweddau o'r gystadleuaeth yn cael eu darlledu yn fyw ac yn cael eu trafod yn rhaglen deledu y Grand Prix ei hun.

Mae potensial i hyrwyddo eich cwmni a'ch brand, gan gyrraedd marchnad newydd mewn ffordd arloesol - ac ar yr un pryd cefnogi addysg a datblygu sgiliau pobl ifanc lleol.

Byddwn yn llysgenhadon ar gyfer ein gwlad ac ar gyfer eich cwmni.

### BETH ALLWCH CHI EI WNEUD I NI?

Mae Team Drive yn cynnig cyfle i chi hyrwyddo eich brand yn rhaglen STEM mwyaf y byd. Mae eich cefnogaeth yn hanfodol wrth gefnogi her addysgol arloesol byd eang sy'n annog myfyrwyr i fod yn beirianwyr, dylunwyr ac arweinwyr busnes y dyfodol. Mae rhai myfyrwyr llwyddiannus sydd wedi cystadlu yn y gorffennol wedi cael cynnig llefydd mewn academi gyda timau F1. Bydd cystadlu yn F1 ysgolion yn rhoi mantais enfawr i ni ar ein CV.

Gall eich nawdd a'ch partneriaeth chi ein galluogi ni i siapio dyfodol y meysydd peirianneg, dylunio a busnes.

*We are aiming to raise £30,000 to be able to compete in Singapore and we would be very grateful to receive specialist or financial aid from everyone that is interested.*

*We have put a plan in place that allows you to benefit from sponsoring us for this competition. We want to ensure that we have a good relationship with everyone that helps and supports us.*

### WHAT CAN WE DO FOR YOU?

*Working in partnership, we can give you a unique global marketing platform. In the competition, your company's name and logo will be seen by thousands of people, at the event and online. Some aspects of the competition will be broadcast and discussed during the televising of the Grand Prix itself.*

*It has potential to promote your company and brand, reaching a new market in an innovative way, whilst at the same time, supporting the education and development of local young people.*

*Our aim is to be ambassadors for our country and your company.*

### WHAT CAN YOU DO FOR US

*Team Drive is offering you an opportunity to promote your brand in the world's largest and most successful STEM programme. You will be essential in supporting a global innovative educational challenge that encourages students to become future engineers, designers and business leaders. Some successful students have already been offered places at F1 Team academies. Competing in F1 in Schools will give our CVs a huge boost.*

*Your sponsorship and support could help us play a part in shaping the future of engineering, design, and business.*

## OPSIYNAU PARTNERIAETH PARTNERSHIP OPTIONS

### £10,000 Partner Platinwm

- Logo eich cwmni ar y car rasio
- Logo eich cwmni yn fawr ar ein dillad
- Tudalen gyfan i'ch cwmni ar ein gwefan
- Logo yn ein portffolios ac yn ein harddangosfa drwy'r gystadleuaeth
- Cydnabyddiaeth i'ch cefnogaeth ym mhob digwyddiad
- Cydnabyddiaeth yn ein datganiadau i'r wasg a'n cyfryngau cymdeithasol
- Yr hawl i ddefnyddio ein fîm a'n llwyddiant ar gyfer gweithgareddau Cysylltiadau Cyhoeddus
- Gwahoddiad i dderbyniad gyda'r nos wedi'r brif gystadleuaeth

### £5,000 Partner Aur

- Logo eich cwmni ar ein dillad
- Tudalen gyfan i'ch cwmni ar ein gwefan
- Logo yn ein portffolios ac yn ein harddangosfa drwy'r gystadleuaeth
- Cael eich enwi ym mhob cyflwyniad a digwyddiad
- Cydnabyddiaeth yn ein datganiadau i'r wasg a'n cyfryngau cymdeithasol
- Yr hawl i ddefnyddio ein fîm a'n llwyddiant ar gyfer gweithgareddau Cysylltiadau Cyhoeddus
- Gwahoddiad i dderbyniad gyda'r nos wedi'r brif gystadleuaeth

### £2,500 Partner Arian

- Proffil 500 gair ar eich cwmni ar ein gwefan
- Logo yn ein portffolios
- Cael eich enwi mewn cyflwyniadau ffurfiol
- Cydnabyddiaeth yn ein datganiadau i'r wasg a'n cyfryngau cymdeithasol
- Yr hawl i ddefnyddio ein fîm a'n llwyddiant ar gyfer gweithgareddau Cysylltiadau Cyhoeddus
- Gwahoddiad i dderbyniad gyda'r nos wedi'r brif gystadleuaeth

### £1,000 Partner Efydd

- Proffil 200 gair ar eich cwmni ar ein gwefan
- Logo ar ein portffolios
- Logo yn ein harddangosfeydd
- Cydnabyddiaeth yn ein datganiadau i'r wasg a'n cyfryngau cymdeithasol
- Yr hawl i ddefnyddio ein fîm a'n llwyddiant ar gyfer gweithgareddau Cysylltiadau Cyhoeddus
- Gwahoddiad i dderbyniad gyda'r nos wedi'r brif gystadleuaeth

### £500 Partner Cymunedol

- Proffil 200 gair ar eich cwmni ar ein gwefan
- Logo yn ein harddangosfeydd
- Cydnabyddiaeth yn ein datganiadau i'r wasg a'n cyfryngau cymdeithasol
- Gwahoddiad i dderbyniad gyda'r noson wedi'r brif gystadleuaeth

### £10,000 Platinum Partner

- Your Company logo featured in prime position on the race car
- Your Company logo featured in prime position on team shirts
- Dedicated profile page about your company on DRIVE website
- Recognition in our press release and social media posts
- Large logo featured on clothing, portfolios and displays throughout the competition
- Support published in all events, both in and out of competition
- Use our team for PR purposes
- Invitation to post competition presentation evening

### £5,000 Gold Partner

- Dedicated profile page about your company on DRIVE website
- Recognition in our press release and social media posts
- Logo featured on clothing, portfolios and display
- Named in all presentations, both in and out of competition
- Use our team for PR purposes
- Invitation to post competition presentation evening

### £2,500 Silver Partner

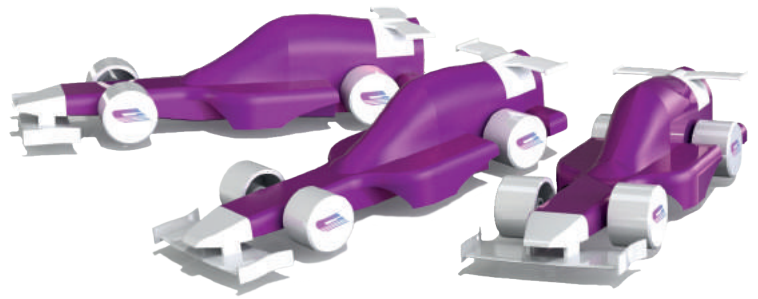
- 500 word profile about your company on DRIVE website
- Recognition in our press release and social media posts
- Logo featured on portfolios at all events
- Logo featured on display at all events
- Named in formal presentation
- Use our team for PR purposes
- Invitation to post competition presentation evening

### £1,000 Bronze Partner

- 200 word profile about your company on DRIVE website
- Recognition in our press release and social media posts
- Logo featured on portfolios at all events
- Logo featured on display at all events
- Use our team for PR purposes
- Invitation to post competition presentation evening

### £500 Community Partner

- 200 word profile about your company on DRIVE website
- Recognition in our press release and social media posts
- Logo featured on display at all events
- Invitation to post competition presentation evening



## **CYSYLLTWCH Â NI / CONTACT US**

Diolch  
Peidiwch ag oedi cyn cysylltu gyda ni

Thank you  
Don't hesitate to contact us

[teamdrivewales@gmail.com](mailto:teamdrivewales@gmail.com)

Ysgol Gyfun Llangefni  
Llangefni  
Ynys Môn  
LL77 7NG  
01248 723441

Rydym ar Facebook, Twitter ac Instagram.  
We are on Facebook, Twitter and Instagram.

[teamdrivewales](https://www.facebook.com/teamdrivewales)

Ein hathrawes  
Our teacher  
Miss Gwenno Williams, [gpw@llangefni.anglesey.sch.uk](mailto:gpw@llangefni.anglesey.sch.uk) **Page 16**

<b>ISLE OF ANGLESEY CHARITABLE TRUST</b>	
<b>COMMITTEE</b>	<b>ISLE OF ANGLESEY CHARITABLE TRUST</b>
<b>DATE</b>	<b>27 June 2018</b>
<b>TITLE OF REPORT</b>	<b>Menter Môn – LEADER project</b>
<b>PURPOSE OF REPORT</b>	<b>To consider a request from Menter Môn to change the use of the approved allocation</b>
<b>REPORT BY</b>	<b>Treasurer – Isle of Anglesey Charitable Trust</b>
<b>ACTION</b>	<b>To consider the request and to determine whether to accept the change of use requested.</b>

## 1. INTRODUCTION

- 1.1. In January 2018, the Isle of Anglesey Charitable Trust agreed to allocate a sum of £191,438 to Menter Môn as match funding to European and Welsh Government funding which would allow the Leader project to continue to December 2021.
- 1.2. In April 2016, the Regeneration Committee recommended to the Trust that a large grant of £50,000 be allocated to Menter Iaith Môn to assist in delivering the objectives of the Island’s Welsh Language Strategy.
- 1.3. In February 2018, Menter Iaith Môn made a further grant application for an additional £100,000 to fund the continuation of the work. In allocating the larger grants in 2018, the Trust had resolved on 12 December 2017 that :-

*“Applications can be made by organisations that had received funding within the previous five years but that these will only be considered once all other applications have been considered and that funding is still available.”*

- 1.4. In allocating the funding available for larger grants in 2018, the Regeneration Committee allocated all the funding available to new applications and, as a result, there was no funding available for applications from organisations who had received funding within the last five years. As a result no additional funding was awarded to Menter Iaith Môn.

## 2. REQUEST FOR A CHANGE OF USE

- 2.1. The Managing Director of Menter Môn has approached Officers of the Trust to express his disappointment in the decision not to award further funding to Menter Iaith Môn, whilst fully understanding the reason behind the decision.
- 2.2. Menter Môn have, therefore, submitted the following request (see letter attached as Appendix 1).

## 3. DECISION REQUIRED FROM THE TRUST

- 3.1. To consider the request and determine whether the Trust will allow the transfer of £25,000 of funding from the Leader project to be used on the Menter Iaith Môn project.

**MARC JONES**  
**TREASURER – ISLE OF ANGLESEY CHARITABLE TRUST**

**14 JUNE 2018**

Dr. Gwynne Jones  
Isle of Anglesey Charitable Trust  
Isle of Anglesey County Council  
Council Offices  
Llangefni  
Ynys Môn  
LL77 7TW

June 8<sup>th</sup> 2018

Dear Dr.Gwynne Jones

**Menter Iaith Application**

I am writing in relation to the application presented by the Menter Iaith to the Charitable Trust. The application for £100,000 was not approved and although we are disappointed we respect the decision.

Menter Iaith Môn is delivering important projects and is working closely with the County Council to achieve the objectives of the Language Strategic Forum. It receives a grant from the Welsh Government however it must attract match funding. Over the last two years it received £50,000 from the Trust which has supported jobs and activities (see annual report). As things stand we will need to reduce the workforce.

The purpose of this letter is not to appeal the decision. I accept the decision and that the money has been distributed.

There is another option however we need the permission of the Trust.

That Menter Môn is given permission to use £25,000 (out of a total of £191,000) which was allocated for LEADER for the benefit of the Menter Iaith. I can see that this is an unusual request however I believe the benefit to the Menter Iaith is greater than the loss to LEADER. This will give the Menter Iaith the opportunity to identify alternative sources of income, and present a new application to the Trust in 2019.

If the Trust agree to the change there would be a requirement on LEADER to raise £25,000 in match funding through its activities, which equates to £5,000 per theme over 3 years. This is achievable and will not have an impact on jobs.

If this is not possible please let me know. The match funding for LEADER is very important, and this request is reflection of Menter Môn's need to adapt to an ever-changing funding scenario. I believe this is a sensible solution which responds to funding issue.

I am more than happy to provide further details or attend a meeting of the Trust to explain the situation further.

Yours sincerely

**Dafydd Gruffydd**  
**RHEOLWR GYFARWYDDWR**



This page is intentionally left blank

<b>ISLE OF ANGLESEY CHARITABLE TRUST</b>	
<b>COMMITTEE:</b>	<b>ISLE OF ANGLESEY CHARITABLE TRUST</b>
<b>DATE:</b>	<b>27 June 2018</b>
<b>TITLE OF REPORT:</b>	<b>Llanfairynghornwy Village Hall Large Grant 2018/19</b>
<b>PURPOSE OF REPORT:</b>	<b>To provide an update on Llanfairynghornwy Village Hall 2018/19 Large Grant</b>
<b>REPORT BY:</b>	<b>TREASURER – ISLE OF ANGLESEY CHARITABLE TRUST</b>
<b>ACTION:</b>	<b>To make a decision on a revised project cost, programme of works and reduced grant award</b>

## 1. BACKGROUND

- 1.1 Llanfairynghornwy Village Hall Committee made an application to the Isle of Anglesey Charitable Trust in May 2017 for refurbishment works to the Village Hall at an estimated cost of £12,420. The works consisted of the removal of ceilings, insulation and replastering. A Grant of £8k was approved by the General Grants Committee at its meeting of 12<sup>th</sup> July 2017.
- 1.2 Works started on the Hall with the first invoice being paid in December 2017, at a cost of £3,840, to which the Trust paid a contribution of £2,688.
- 1.3 Whilst the builder was undertaking the removal of the ceilings, it was found that works were also needed on the roof and exterior front elevation of the building and that it would be pointless to continue with the internal works until the remedial works had been completed outside.
- 1.4 An approach was made to the Trust in December 2017 to request if the £8k grant could be utilised to complete the works on the outside of the building and this was agreed. The costs for the exterior works were quoted at £5,378.
- 1.5 The builder completed the works as quoted at a cost of £5,378 and this invoice was paid in February 2018 with a contribution from the Trust of £3,764.
- 1.6 The final bill from the builder for works completed to date has now been received at a cost of £2,916. The final instalment of £1,548 of the Small Grant has been paid towards this.
- 1.7 Total costs of £12,134 have been incurred by the Village Hall Committee to date, of which they have funded £4,134.
- 1.8 A further grant application was made to the Trust for a Large Grant in January 2018. The application was for the completion of the interior buildings works, decoration, installation of a heating system and tarmac outside the building. The Trust awarded £26,388 at its meeting on 17<sup>th</sup> April 2018 towards total project costs of £34,743 i.e. the Trust would fund 76% of the work.

1.9 During a Project Engagement Visit with the Village Hall Committee, it was found that the match funding declared in the application was no longer available and the Committee did not have sufficient funds to enable them to deliver the works as approved in the second application.

## 2. CURRENT SITUATION

2.1 Llanfairynghornwy Village Hall is a vital community facility for a remote rural community. It is the only community building within the village and is well used by local residents. A considerable amount of work has already been undertaken on the Village Hall but, in its current state, it is not useable due to the incomplete building works. Groups are currently hiring facilities outside of the area. The Village Hall is not currently able to generate any income but still has overheads to pay.

2.2 Work needs to be completed as a matter of urgency, however, there are now insufficient funds available to the Committee to complete the works as stated in their original application.

2.3 The project costs and associated works in the original application were:-

Completion of building works inside and out	£ 8,133.60
Painting	£ 6,210.00
Electrics and Heating	<u>£ 6,000.00</u>
Total	<u>£20,343.60</u>
Tarmacing	£14,400.00
<b>Total Project Costs</b>	<b><u>£34,743.60</u></b>

2.4 The application stated that £2,000 of the applicant's own funds and £8,000 Charitable Trust Small Grant was available toward the project costs but the Trust approved a grant of £26,388 leaving just £8,355.60 to be funded from other sources.

2.5 As the Committee has already spent the £10,000 identified in the application, the only funding available to them is the £26,388, which would be insufficient to deliver all of the works listed above.

2.6 The Committee have also identified the need to treat woodworm at a cost of £1,000, which was not originally included in the costs listed above. The Hall will also need a professional deep clean before it can be re-opened at a further cost of £1,000.

2.7 The Committee would be able to complete the works needed to allow the building to re-open and pay for the additional costs not previously identified with a reduced grant of £22,343.60, but this would result in the Trust funding 100% of the works. The tarmacing would be put on hold until further funds could be secured by the Committee.

## 3. RECOMMENDATION

3.1 The Trust continue to support the project but with a revised schedule of works, reduced project cost and a reduction in the level of grant.

**MARC JONES**  
**TREASURER – ISLE OF ANGLESEY CHARITABLE TRUST**

**14 JUNE 2018**



Document is Restricted

This page is intentionally left blank